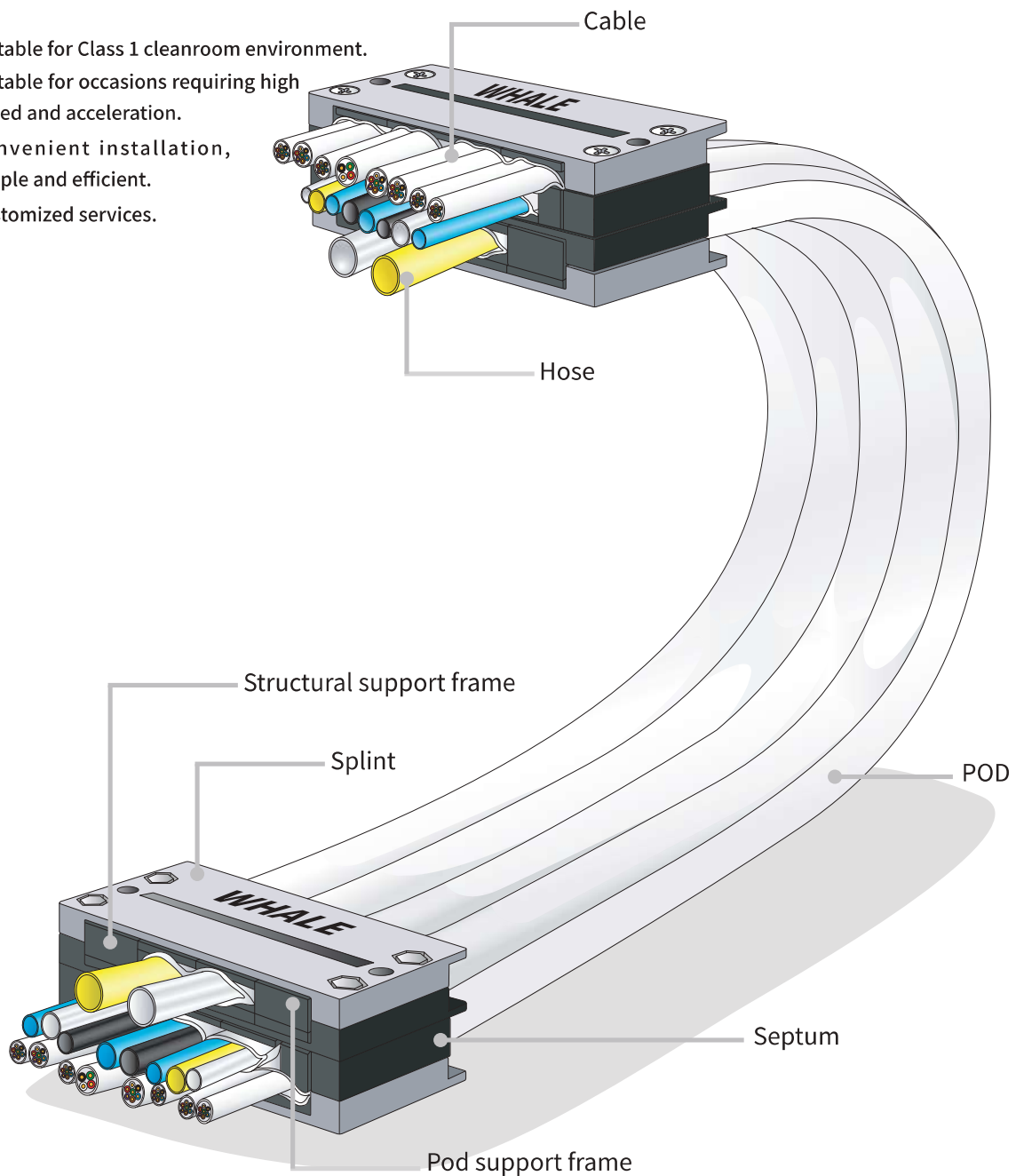


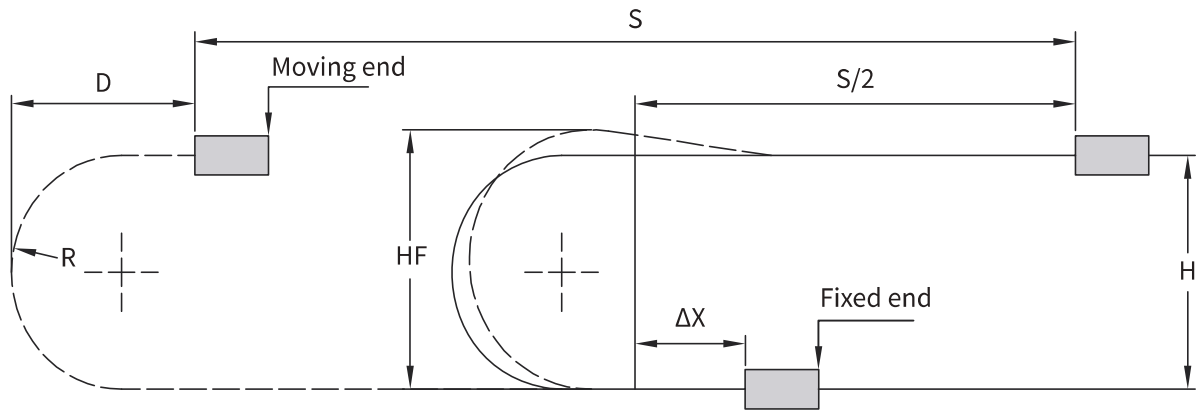
# Cleanroom Series | Product Structure | Material

- Suitable for Class 1 cleanroom environment.
- Suitable for occasions requiring high speed and acceleration.
- Convenient installation, simple and efficient.
- Customized services.



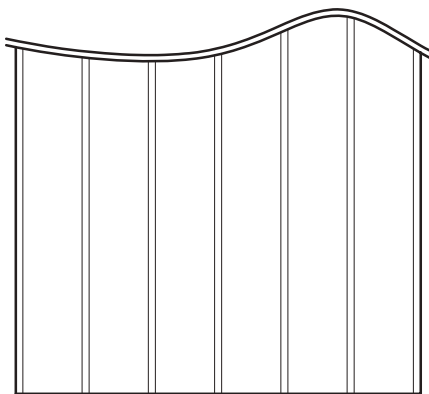
Component name	Component material	Description
Pod	E-PTFE	Flexible, light, longlife.
Mounting brackets	Aluminium alloy	Light and beautiful, easy to install.
Sternum	PA66	High strength, bending resistance and good dynamic performance.
Support frame	Rubber	Used to protect and clamp cables and hoses.
Shim	PVC	Reinforcing and protecting sheath
Column	PBT	Positioning and supporting function

# Cleanroom Series | Installation parameters | Pod specifications



- $S$  = Length of travel [mm]
- $R$  = Bending radius [mm]
- $H$  = Minimum installation height [mm]
- $D$  = Over length chain radius in final position [mm]
- $HF$  = Required clearance height [mm]
- $\Delta X$  = Deviation of the center point [mm]

Parameters	Value
Minimum bending radius	40 mm
Max length of travel	3000 mm
Max speed	2 m/s
Max acceleration	4 G
Moving life times	10,000,000
Allowed temperature	-10° ~ +80° C
Cleanroom class	PVC
Outer radius of Cable	PBT

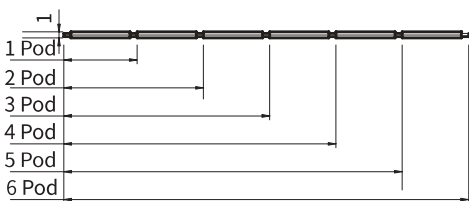


## ● Standard

Model	Pod number	Pod thickness mm	Pod width mm	Siding width mm	Total width mm
CP205N-1	1 Pod	1	20.5	2.5	26.0
CP205N-2	2 Pod				49.5
CP205N-3	3 Pod				71.5
CP205N-4	4 Pod				94.0
CP205N-5	5 Pod				117.0
CP205N-6	6 Pod				139.0

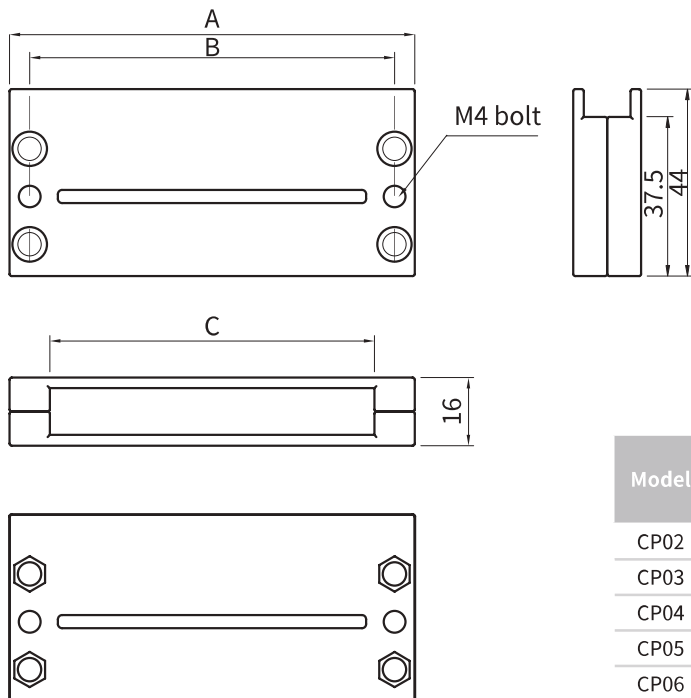
## ● Non-standard

Model	Pod number	Pod thickness mm	Pod width mm	Siding width mm	Total width mm
CP028N-1	1	1	28	2.5	33.0
CP028N-2	2		28		64.0
CP028N-3	3		28		94.0
CP028N-4	4		28		123.5
CP040N-1	1		40		44.6
CP062N-1	1		62		66.6
CP083N-1	1		83		87.6
CP096N-3	3		20/40/20		92.6



# Cleanroo Series | Fixture | Superposition mode

## ● Splint fixture

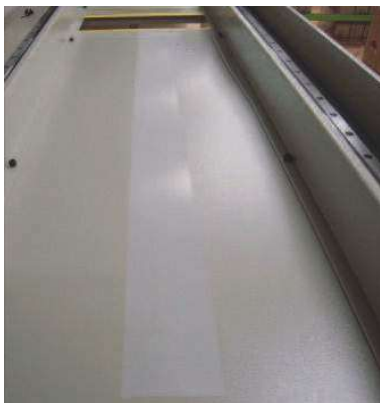


Model	Matching pod number	A [mm]	B [mm]	C [mm]
CP02	2 Pod	57.2	47.7	38.2
CP03	3 Pod	76.3	66.8	57.3
CP04	4 Pod	95.4	85.9	76.4
CP05	5 Pod	114.5	105.0	95.5
CP06	6 Pod	133.6	124.1	114.6

## ● Superposition mode

Number of plies		Sample A	Sample B	Sample C
1	Height	16mm		
	Sample			
2	Height	30mm		30mm
	Sample			
3	Height	44mm		
	Sample			
4	Height	56mm		
	Sample			
5	Height	70mm		
	Sample			

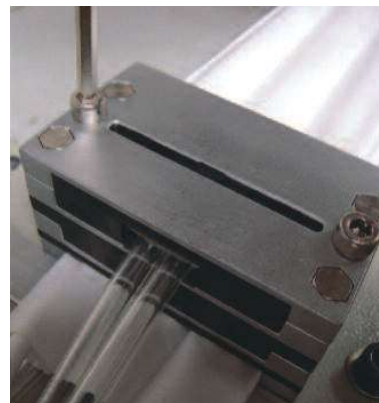
# Cleanroom Series | Installation instructions | Ordering



1. Stick a layer of PTFE on the workbench in contact with the cable chain.



2. Fix the moving end connector with M4 bolt.



3. Fix the fixed end in the same way.



4. Adjust the posture during movement to keep it in a straight line in the direction of movement.



5. Installed state.

## ● Dynamic parameter

Travel \_\_\_\_\_ [m]    Load \_\_\_\_\_ [kg/m]    Speed \_\_\_\_\_ [m/s]  
 Acceleration \_\_\_\_\_ [m/s<sup>2</sup>]    Cyclic frequency \_\_\_\_\_ [1/min]

## ● Installation space

Installation height \_\_\_\_\_ [mm]    Bending radius \_\_\_\_\_ [m/s]  
 Installation width \_\_\_\_\_ [mm]    Deviation of the center point \_\_\_\_\_ [m/s]

## ● Cable parameters

No.	Manufacturer/model	Number	Outer radius [mm]	Weight [kg/m]	Minnimum bending radius [mm]